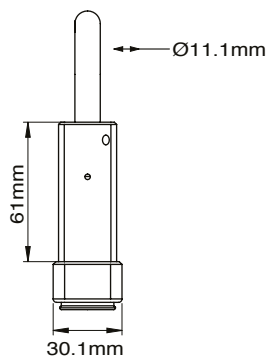
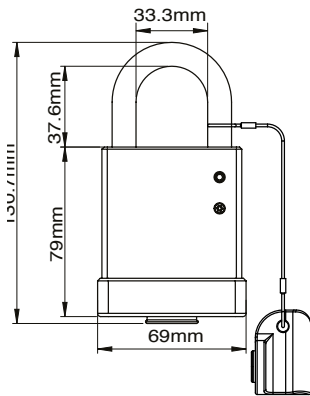


PL5 Padlock

Product ID: PL5



The PL5 Padlock is Acsys’s flagship lock. A military-grade mechatronic padlock that is as durable as it is intelligent. Ideal for rugged outdoor environments, especially gates and cabinets. The PL5 can be outfitted with our high security hasp for unsurpassed protection against vandalism. Possessing programmable logic to control access of up to 1 million keys and top-grade encryption standards, these electronic features are complemented by a variety of mechanical anti-theft measures.

GENERAL	
Dimensions & weight	69 x 130.7 x 30.1 mm 11mm Shackle
Material	Brass with platinum PVC
ENVIRONMENT	
Temperature	-20 °C to 80 °C (Storage) -20 °C to 65 °C (Operation)
Relative Humidity (RH)	0 to 95% (Without Condensation)
Ingress Protection	IP67
ELECTRONICS	
Power Supply	Powered by the key
Encryption	AES 128-bit
LOGIC	
Accessible Keys	1 million
Audit Trail	1000 Access Logs 100 Blacklisted Keys
COMPATIBILITY	
Keys	All key types
CERTIFICATION	
	CE
WARRANTY	
Warranty	2 years / 10,000 openings



Version 1902-001

For more information
To learn more about Acsys International

visit www.acsys.com
Acsys International Ltd.

DISCLAIMER: This document gives certain information about products and/or services provided by Acsys International Limited or its related companies (referred to as "Acsys"). The information is indicative only and is subject to change without notice meaning it may be out of date at any given time. Although every commercially reasonable effort has been taken to ensure the quality and accuracy of the information, Acsys makes no representation as to its accuracy or completeness and it should not be relied on as such.